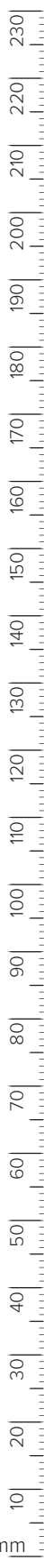
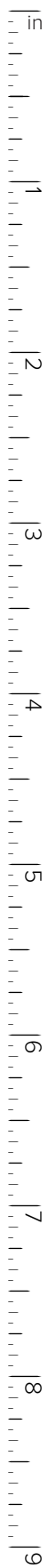
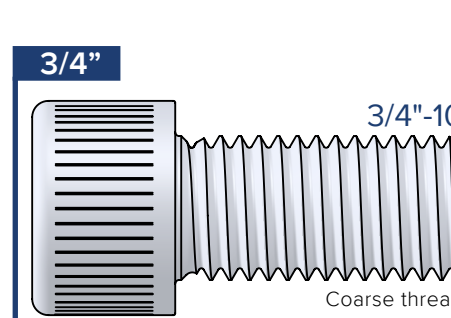
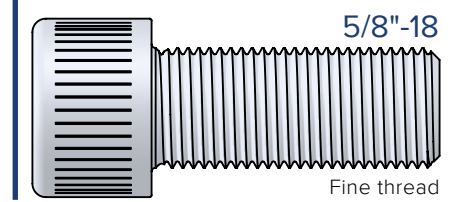
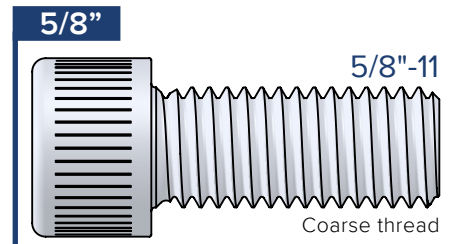
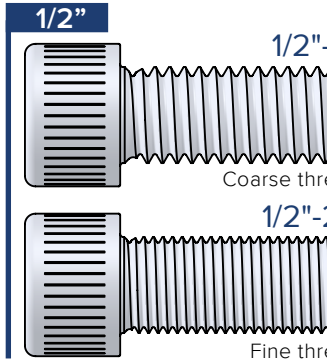
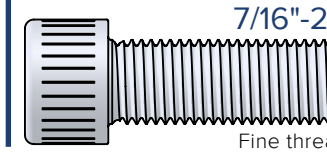
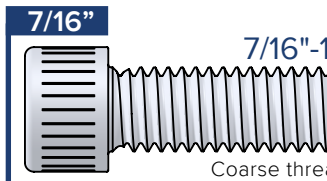
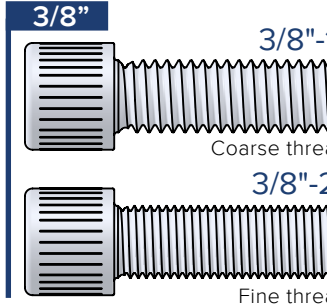
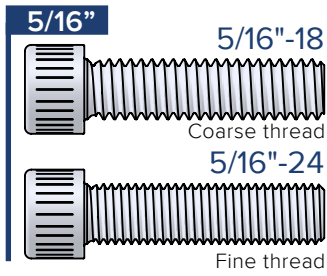
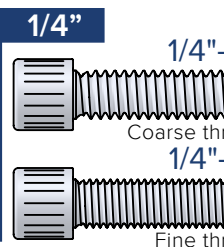
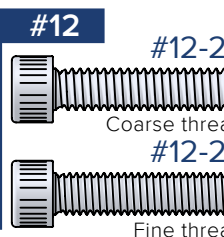
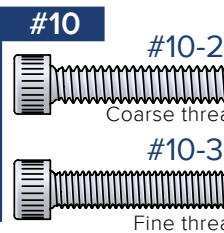
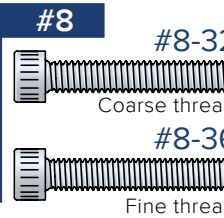
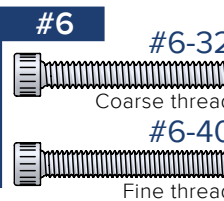
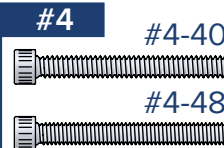
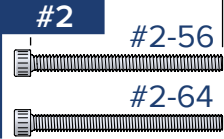


# US Socket Cap Sizes

[www.boltdepot.com/tools](http://www.boltdepot.com/tools)

Fastener length is measured from where the material surface is assumed to be, to the end of the fastener.

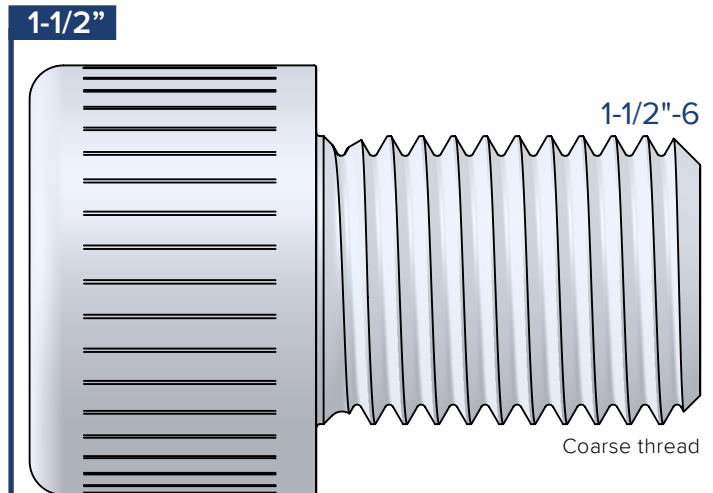
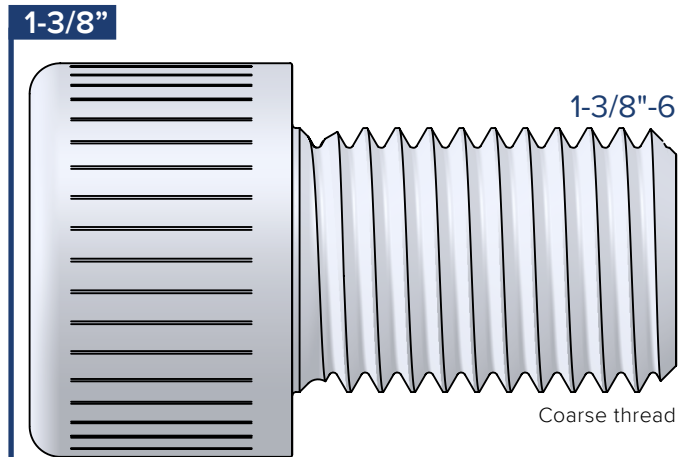
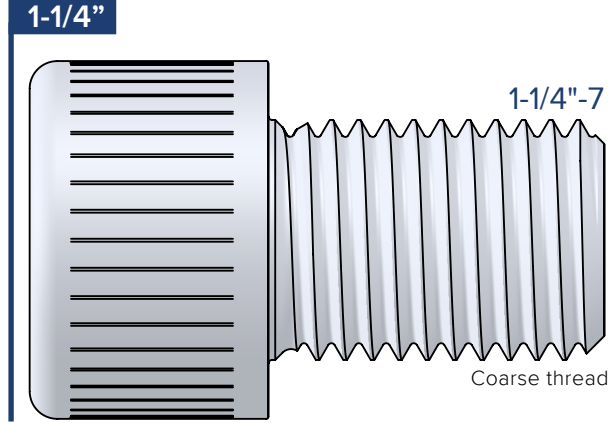
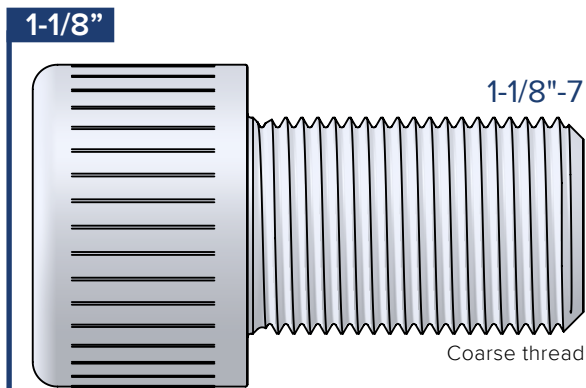
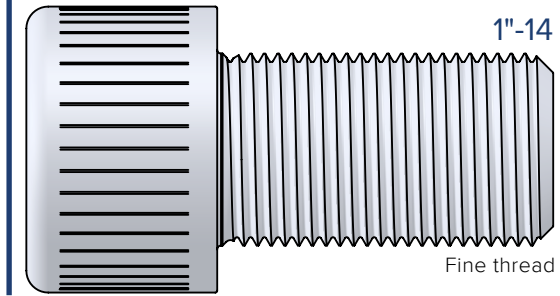
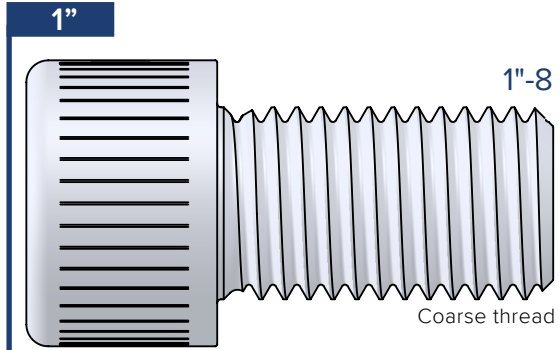
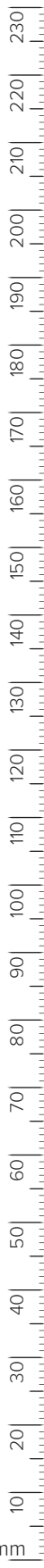
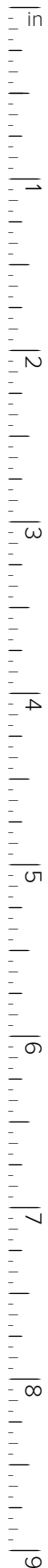
Length



**IMPORTANT:** Make sure to print this chart to Actual Size (no scaling). After printing, measure the ruler in the margin to ensure correct scale. See [boltdepot.com/tools](http://boltdepot.com/tools) for more details.

# US Socket Cap Sizes (continued)

[www.boltdepot.com/tools](http://www.boltdepot.com/tools)



**IMPORTANT:** Make sure to print this chart to Actual Size (no scaling).  
After printing, measure the ruler in the margin to ensure correct scale. See [boltdepot.com/tools](http://boltdepot.com/tools) for more details.