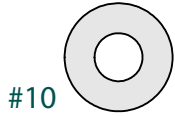
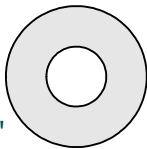


# USS Flat Washer Size Chart

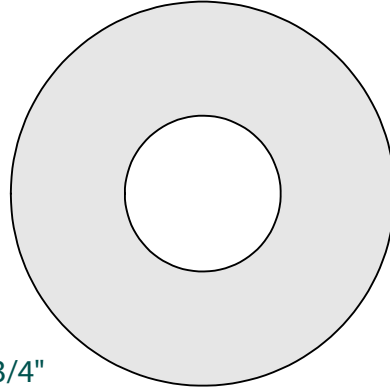
www.boltdepot.com/tools



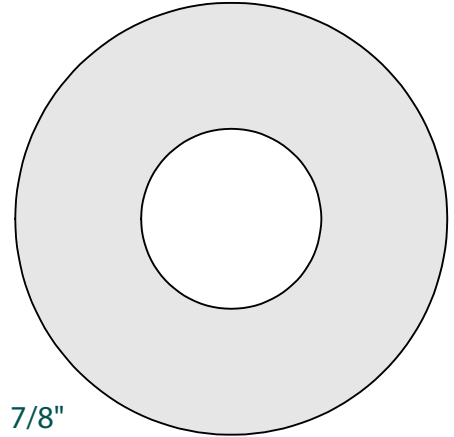
#10



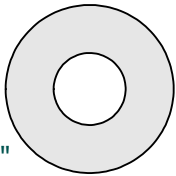
1/4"



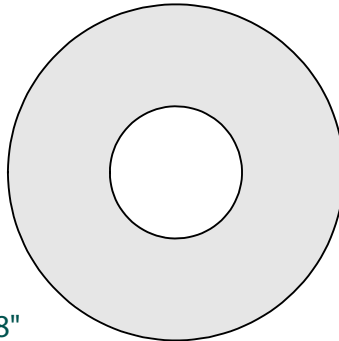
3/4"



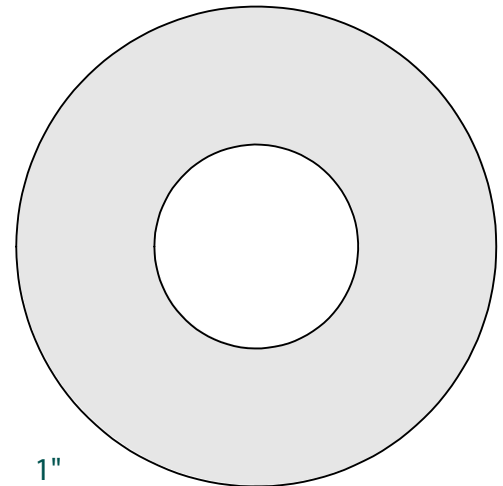
7/8"



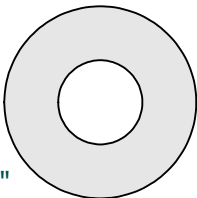
5/16"



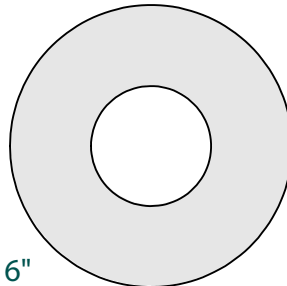
5/8"



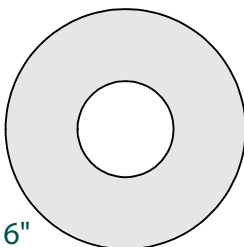
1"



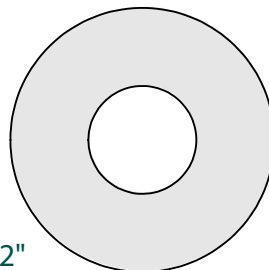
3/8"



9/16"



7/16"



1/2"

**Large USS Washer Sizes**

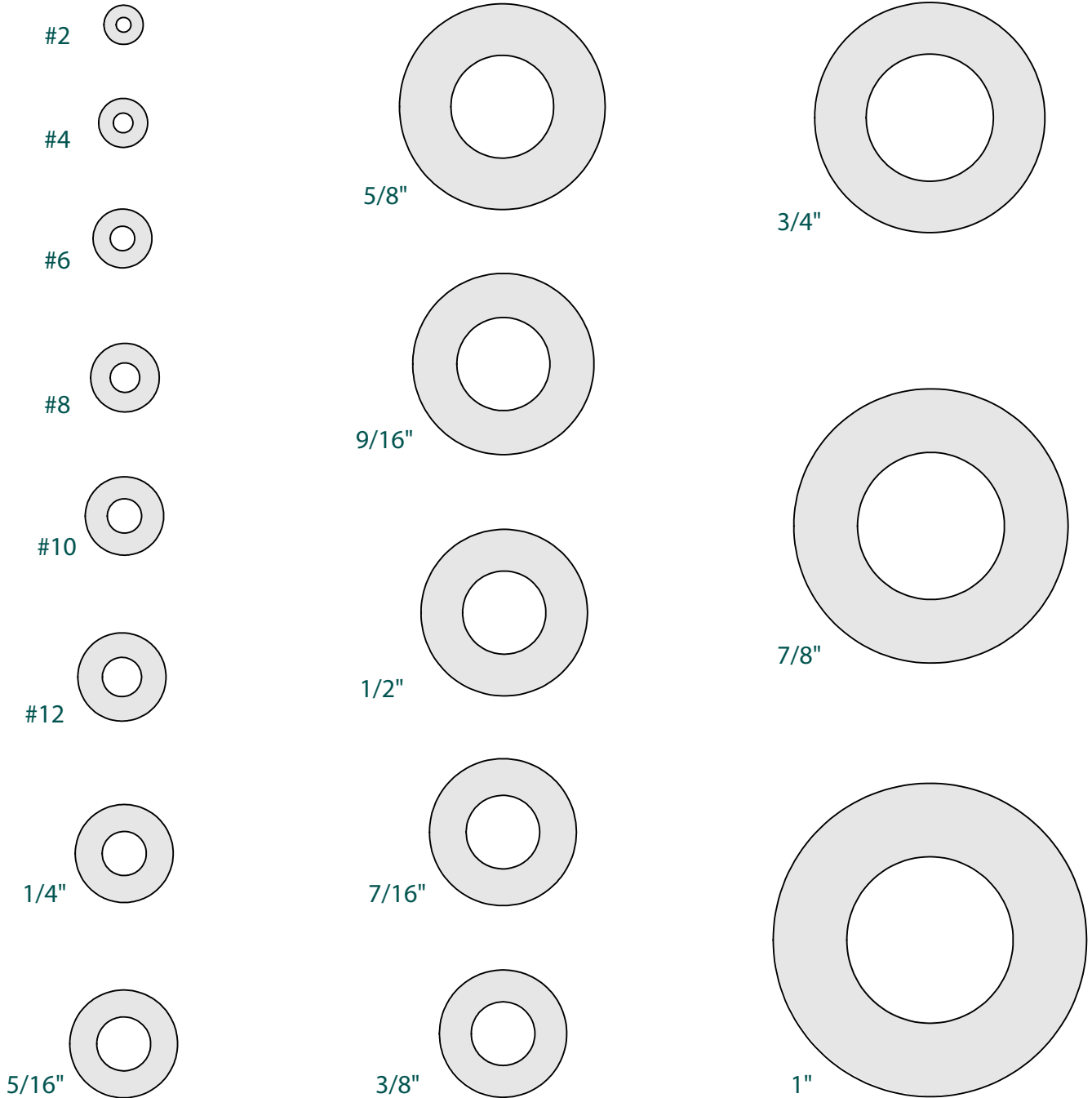
Size	Diameter	
	Inside	Outside
1-1/8"	1-1/4"	2-3/4"
1-1/4"	1-3/8"	3"
1-3/8"	1-1/2"	3-1/4"
1-1/2"	1-5/8"	3-1/2"
1-5/8"	1-3/4"	3-3/4"
1-3/4"	1-7/8"	4"
2"	2-1/8"	4-1/2"

0 . . . . . | 1 . . . . . | 2 . . . . . | 3 . . . . . | 4 . . . . . | 5 . . . . . | 6 inches

Scale Check: After printing, measure ruler above to ensure correct scale

# SAE Flat Washer Size Chart

www.boltdepot.com/tools



0 . . . . . | 1 . . . . . | 2 . . . . . | 3 . . . . . | 4 . . . . . | 5 . . . . . | 6 inches

Scale Check: After printing, measure ruler above to ensure correct scale